

8560ec manual



File Name: 8560ec manual.pdf

Size: 3894 KB

Type: PDF, ePub, eBook

Category: Book

Uploaded: 19 May 2019, 19:49 PM

Rating: 4.6/5 from 667 votes.

Download Now!

Please check the box below to proceed.



I'm not a robot



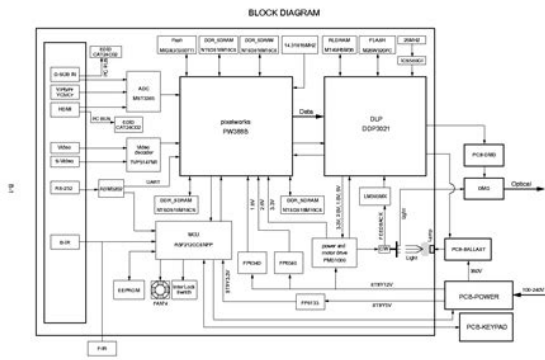
reCAPTCHA
Privacy - Terms

Book Descriptions:

8560ec manual

In this application note, the characteristics of noise and its direct measurement are discussed in detail. While there are several ways to perform these inchannel and outofchannel measurements, a spectrum analyzer and softwareimplemented power detection makes. It will help you analyze a measurement and decide what procedure to follow to. This Application Note is a guide to cdma2000 testing based on established cdmaOne measurements. Topics include resolution, amplitude measurements sensitivity, dynamic range, LO stability, and the use of spectrum analyzers. For the best experience on our site, be sure to turn on Javascript in your browser. A spectrum analyzer measures the power of spectrums of known and unknown signals. Spectrum analyzers collect information such as the magnitude of an input signal compared to its frequency. As a frequency analyzer, spectrum analyzers' main use is to document and analyze electrical input signals as well as spectral compositions of other signals. Calibrations None NIST Traceable NIST Traceable With Full Data ISO IEC 17025 Accredited Qty Request Quote Request a Quick Quote Notify me if price changes Add to Wish List Add to Compare Details Additional Features The Agilent 8560EC combines outstanding phase noise, sensitivity, 1 Hz resolution bandwidths, synthesized tuning and wide dynamic range in a package built to withstand environmental conditions. The 8560EC offers a complete solution for adjacentchannel power ACP testing of burst carrier signals using digital modulation, and the ability to measure occupied bandwidth percentage. The 8560EC series spectrum analyzers offer a complete solution for ACP testing of burst carrier signals using digital modulation such as is used in NADCTDMA, GSM, DECT, CT2 CAI, PDC and PHS systems. Many of the implementation difficulties of the established standards have been addressed, providing fast, accurate and easytouse ACP measurement capability.<http://www.dzwigipoznan.pl/userfiles/emory-policy-debate-manual.xml>

- **8560ec service manual, 8560ec manual, 8560e manual.**



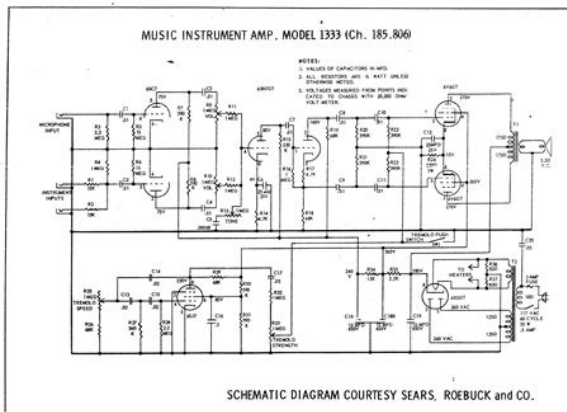
Measure WCDMA adjacent channel power ratio ACPR with a dynamic range of at least 70 dB using the 8563EC Option E35 ACPR test set. Now, you can get better phase noise, sensitivity, dynamic range and frequency response from this high performance portable spectrum analyzer family. This allows wireless communications engineers to test highperformance components in burst operation systems. Specifications More Information Manufacturer Agilent, HP, Keysight Condition Used Frequency 2.9 GHz Options Options 001 Second IF Output 310.7 MHz provided at rear panel connector J10 005 Add alternate sweep output 006 Extends lower frequency coverage to 30 Hz 007 Digitized fast time domain sweeps 008 Adds signal identification 026 APC 3.5 mm male, 50 Ohm Front panel connector Datasheets Agilent 8560 EC Series Manuals HP 8560E, 8560EC Series Quick Reference Guide HP 8560E, 8560EC Series Service Guide HP 8560E, 8560EC Series Users Guide Looking for other manuals. Search all of our available manuals here. This analyzer combines outstanding phase noise, sensitivity, 1 Hz resolution bandwidths, synthesized tuning and wide dynamic range in a package built to withstand environmental conditions. It offers a complete solution for adjacentchannel power ACP testing of burst carrier signals using digital modulation, and the ability to measure occupied bandwidth percentage. Key Features and Specifications Not available with option 327. Not available with option 005. Not available with options 002 or 327. Not available with option 327. Provides signal ID for unpreselected ext. mixers. Not avail. with opt. 327 Minimum Res BW decreased from 1 Hz to 10 Hz. B70 BenchLink Spectrum Analyzer. C91 856xECseries Factory Rackmount configuration see option 908. R08 Signal Identification Retrofit Kit. UK6 Commercial Calibration Certificate with Test Data. W30 Extends factory warranty service for 3 years. W32 Two additional years calibration service. W34 3 year customer return for calibration service. <http://ibervillecompanies.com/userfiles/emo-manual.xml>



W50 5 year customer return for repair service. W52 5 year customer return for calibration service.

CAUTION Do not use too much liquid in cleaning the optical spectrum analyzer. Water can enter the frontpanel keyboard, damaging sensitive electronic components. The 4300 Handheld FTIR is the first of its kind employing lightweight ergonomics, ease of use, ruggedness, and flexibility into one system. The 4300 weighs in at approximately 2kg. Find great deals on eBay for hp 8564 spectrum analyzer. Shop with confidence. Skip to main content. Shop by category. Enter your search keyword The Agilent 8560 EC Series spectrum analyzers have a color display, offer standard digitized fast time domain sweeps Option 856xE007 on the 8560 E Series, and are Class 3 MILrugged. The 8560 EC Series is identical to the 8560E Series in all other respects. Agilent 8560EC 30 Hz to 2.9 GHz Agilent 8561EC 30 Hz to 6.5 GHz 1 The Agilent 8564EC portable, color display millimeter wave spectrum analyzer offers the measurement capability and performance previously found in larger, more expensive benchtop analyzers. You can measure signals from 30 Hz to 40 GHz preselected above 2.75 GHz with a single coaxial connection. The 8590 E Series and L Series spectrum analyzers, 8591C cable TV analyzers, and 8594Q QAM analyzers provide measurement capabilities over the RF and Microwave frequency ranges. Download free Agilent Technologies user manuals, owners manuals, instructions, warranties and installation guides, etc. Printer compatibility chart Manuals, Service Notes, Brochures, and Data Sheets The historic rollout of HewlettPackard equipment is detailed below, along with our archive of equipment manuals, service notes, data sheets, brochures, and any available collector references. The dates below mark the first and last year of appearance for an item in printed catalogs, or price lists. Ask for a quote on a Used Agilent HP 8564EC Portable Spectrum Analyzers from Top Dog Test at usedline.com today.

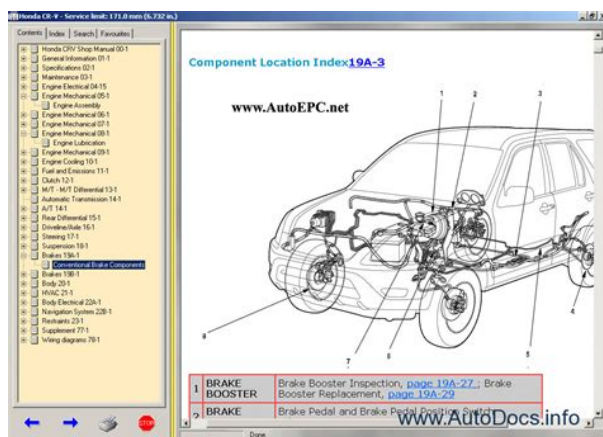
Toggle navigation Agilent HP 8564EC. Download Agilent HP 8564EC datasheet pdf 329 KB Outstanding performance for sensitivity, phase noise, the 2nd and 3rd order dynamic Ask for a quote on a Used Agilent HP 8564EC Portable Spectrum Analyzers from Top Dog Test at usedline.com today. Toggle navigation Agilent HP 8564EC. Download Agilent HP 8564EC datasheet pdf 329 KB Outstanding performance for sensitivity, phase noise, the 2nd and 3rd order dynamic Agilent 8560EC RF spectrum analyzer1 30 Hz to 2.9 GHz 30 Hz to 13.2 GHz Agilent 8563EC microwave spectrum analyzer1 9 kHz to 26.5 GHz Agilent 8564EC millimeterwave spectrum analyzer 9 kHz to 40 GHz Agilent 8560 EC Series manuals 0856090112 8560 EC Series quick reference guide in. Agilent offers 5 year support life to this product. Additionally, we will give our best effort to provide information on obsolete products that are no longer under support life. You must have JavaScript enabled in your browser to utilize the functionality of this website. Available to rent! Rent from Avalon Test Equipment. The only rugged portable spectrum analyzer with preselection to 50 GHz and a complete range of external mixers to 110 GHz. We hope to earn your business. Discounts may be offered for reduced service levels. Please let us know which of You should expect a response within We hope to earn your business. This analyzer combines outstanding phase noise, sensitivity, 1 Hz resolution bandwidths, synthesized tuning and wide dynamic range in a package built to withstand harsh environmental conditions. Timegated signal analysis allows you to easily measure timevarying signals such as pulsed RF, time division multiple access, interleaved, and burstmodulated. Not available with option 327. Not available with option 005. Not available with options 002 or 327. Not available with option 327. Provides signal ID for unpreselected ext. mixers. Not avail. with opt. 327 Minimum Res BW decreased from 1 Hz to 10 Hz.



<http://ninethreefox.com/?q=node/13136>

All products include a 90 day warranty from Test Equipment Center to ensure your complete satisfaction. Sell your surplus Agilent 8560EC and other surplus equipment to Test Equipment Center. View our purchase program options [HERE](#). Our technical service laboratory also offers repair support for many products purchased from other suppliers, inquire for details. Our tradein, purchase, and consignment options are designed to return maximum value for your surplus assets. Diskette is New in Sealed envelope. " Learn more opens in a new window or tab This amount is subject to change until you make payment. For additional information, see the Global Shipping Programme terms and conditions opens in a new window or tab This amount is subject to change until you make payment. If you reside in an EU member state besides UK, import VAT on this purchase is not recoverable. For additional information, see the Global Shipping Programme terms and conditions opens in a new window or tab Delivery times may vary, especially during peak periods and will depend on when your payment clears opens in a new window or tab. Learn More opens in a new window or tab Learn More opens in a new window or tab Learn More opens in a new window or tab Learn More opens in a new window or tab Learn More opens in a new window or tab Learn More opens in a new window or tab The item may have some signs of cosmetic wear, but is fully operational and functions as intended. This item may be a floor model or an item that has been returned to the seller after a period of use. See the seller's listing for full details and description of any imperfections. Diskette is New in Sealed envelope. " Contact the seller opens in a new window or tab and request a postage method to your location. Please enter a valid postcode. Please enter a number less than or equal to 1. Sellers may be required to accept returns for items that are not as described. Learn more about your rights as a buyer.

<https://cjb-clinicalmarketing.com/images/canon-eos-elan-manual.pdf>



opens in a new window or tab You're covered by the eBay Money Back Guarantee if you receive an item that is not as described in the listing. Some people tend to make photocopies, and want to return. All Rights Reserved. User Agreement, Privacy, Cookies and AdChoice Norton Secured powered by Verisign. Se ha producido un error. Ve a la cesta para obtener más información. Más información se abre en una nueva ventana o pestaña Este importe está sujeto a cambios hasta que realices el pago. Para información adicional, consulta los Términos y condiciones del Programa de envíos globales se abre en una nueva ventana o pestaña Este importe está sujeto a cambios hasta que realices el pago. Si resides en un Estado Miembro de la UE aparte de Reino Unido, el IVA de importación de esta compra no es recuperable. Para más información, consulta los Términos y condiciones del Programa de envíos globales se abre en una nueva ventana o pestaña El plazo de entrega puede variar, especialmente durante fechas de máxima actividad, dependiendo de la ubicación del comprador Más información se abre en una nueva ventana o pestaña Más información se abre en una nueva ventana o pestaña Más información se abre en una nueva ventana o pestaña El artículo no tiene por qué encontrarse en el empaquetado original. Consulta el anuncio del vendedor si deseas más información. Contactar al vendedor se abre en una nueva ventana o pestaña y selecciona un servicio de envío para tu ubicación. Introduce un código postal válido. Introduce un número menor o igual que 1. En las transacciones que cumplan los requisitos necesarios, estarás cubierto por la Garantía al cliente de eBay si recibiste un artículo que es distinto de la descripción que aparece en el anuncio. I can also bill to your acct number if preferred. Algunas compras específicas no están cubiertas por la garantía.

<http://dkc1burgas.com/images/canon-eos-elan-2-user-manual.pdf>



Todos los derechos reservados. Condiciones de uso, Privacidad, Cookies y AdChoice Seguridad Norton patrocinado por Verisign. Save up to 90% on select test equipment. This analyzer combines outstanding phase noise, sensitivity, 1 Hz resolution bandwidths, synthesized tuning and wide dynamic range in a package built to withstand environmental conditions. It offers a complete solution for adjacent channel power ACP testing of burst carrier signals using digital modulation, and the ability to measure occupied bandwidth percentage. Features. Learn more opens in a new window or tab This amount is subject to change until you make payment. For additional information, see the Global Shipping Programme terms and conditions opens in a new window or tab Delivery times may vary, especially during peak periods. Learn More opens in a new window or tab Learn More opens in a new window or tab Learn More opens in a new window or tab Learn More opens in a new window or tab Learn more This item may or may

not be in its original packaging. See the seller's listing for full details. Contact the seller opens in a new window or tab and request a postage method to your location. Please enter a valid postcode. Please enter a number less than or equal to 1. I can also bill to your acct number if preferred. All Rights Reserved. It is like a Shopping Cart, but instead of inserting items to purchase into your cart, you insert your requests for quotes. You can manage your Request Cart by clicking on the icon Note If you are a dealer, please register here. It is like a Shopping Cart, but instead of inserting items to purchase into your cart, you insert your requests for quotes. This analyzer combines outstanding phase noise, sensitivity, 1 Hz resolution bandwidths, synthesized tuning and wide dynamic range in a package built to withstand environmental conditions.

It offers a complete solution for adjacent channel power ACP testing of burst carrier signals using digital modulation, and the ability to measure occupied bandwidth percentage. Suite 120 USA You can send up to 10 dealer emails at a time, and up to 30 per day. The Dealer Directory is intended for visitors to make specific business inquiries and should not be used to send bulk emails. Recalibrate the digital storage subsystem immediately after any adjustments are made. 5. Frequency Control System Calibration, p. 59 Step e When observing the markers, either turn digital storage off, or follow the procedure in 13. Digital storage calibration first. Again, I recommend calibrating digital storage immediately after the deflection amp gain, so you aren't confused in any subsequent steps by storage registration errors. Any 5MHz sinewave source is OK for this, especially if its strong enough to create some additional harmonic distortion in the front end. Select 100 kHz RBW to yield narrower markers. Step f Max Span Dot Don't bother to change the resistor based on the response at the left end of the display, as the manual specifies. Don't adjust your logamp unless you actually need to. Symptoms such as excessive amplitude drift will not be corrected by calibration alone. While Tektronix continually upgraded their instruments to use the latest modules in production, the same cannot be said of their service manuals. When searching for the correct schematics and service information for your instrument, date codes on components are often a better clue than the model nomenclature on the front panel. The first step in logamp calibration is to identify which of the three possible Log and Video Amplifier test point and adjustment locations figures 517 in, or 513 in with two possible control layouts applies to the module in your instrument.

<http://ontheedgeofnow.com/wp-content/plugins/formcraft/file-upload/server/content/files/16274e817bc02c---brother-kh-260-service-manual.pdf>

The catch is that at least two different layouts were used for the controls in figure At some point, probably around the time Tek redesigned the board using surface mount components in the late 1980s early 1990s, the trimmer functions were reordered while their physical locations were left alone. In earlier logamp assemblies, the order is as specified left to right on the component side INPUT REFERENCE LEVEL R1012 LIN MODE BALANCE R1025 OUTPUT REFERENCE LEVEL R1030 LOG GAIN R1037 LOG FIDELITY R1060 In later assemblies, the correct control order is LIN MODE BALANCE R1025 LOG GAIN R1037 OUTPUT REFERENCE LEVEL R1030 INPUT REFERENCE LEVEL R1012 LOG FIDELITY R1060 3 Step h Return the step attenuator to 0 db. If someone has a better interpretation, please me and help keep this document up to date. Users of HP 8640s and other generators with vernier level controls will probably find it easier to use the outboard attenuators as specified. When servicing your logamp module, watch out for corrosion from any surface mount electrolytic capacitors that may be present. 494A Pera logamps were among the earlier surface mount assemblies produced by Tektronix in the late 1980s. The quality of the surface mount capacitors used at the time was terrible, as owners of other Tek instruments such as the early TDS series DSOs can often attest. It's normal for the 19 and 21GHz response peaks to be rather broad, or to occur at the far extent of their respective shaper adjustments. In most cases it will not be possible to achieve perfect preselector tracking in any one band, much less across all bands, and in any event, thermal factors will limit repeatability. You can spend hours tweaking the

preselector response if you like, but as soon as you put the cover back on the analyzer, the effort will be wasted.

cokhixaydung.com/images/uploads/files/930bf-manual.pdf

Ultimately the response with the PEAKING control centered may be 34 db down at various frequencies in the different bands, but with correct alignment, it should be possible to peak the response at any given frequency between 1.7 and 21 GHz without leaving the shaded area. If your preselector response already meets this criterion, there is little benefit in adjusting the preselector driver assembly. You can also perform the procedure with a CWcapable sweep generator e.g., HP 86290A H08 or synthesizer HP 8673B or equivalent, but its more timeconsuming. Absolute amplitude control is not needed for preselector calibration. 4 Service notes and troubleshooting topics General notes on powersupply service Regulation tolerances for the lowvoltage supply buses is specified in service volume 1, and is not usually a problem. These are inexpensive highfailurerate parts, so they should be replaced in any event if the power supply is otherwise disassembled for service. You will not see HPlike levels of display stability and sharpness on these instruments, but theres often a lot of room for improvement. When servicing instruments with the pre1988 deflection amplifiers, its a good idea to replace the 620K and 300K carboncomposition resistors in the negativefeedback paths. Typical replacement parts would be DigiKey P620KBBCTND two each and BC300KW2CTND two each. Calibrate the deflection amplifier gain after replacing these resistors. This particular board already had 300K metal film resistors 3,4 in place, so they were left alone. The 620K, 5% carboncomposition resistors 1,2 were measured at 580K and 980K, respectively. It may be necessary to adjust the frequencycompensation trimmer caps for stable readout characters as well. Low voltage or excessive ripple indicates failure of the miniature highvoltage electrolytic filter capacitors in the main power supply. The OEM fan is an exotic part which is unobtainable today.

Especially on the newer analyzers with 10 Hz resolution, avoid the temptation to hack in a cheap CPU fan as a substitute. Chances are, it wont put out enough air to cool the entire analyzer safely. Additionally, the fan is mounted in close proximity to sensitive IF circuitry, so both EMI and mechanical vibrations will appear as excessive composite noise or sidebands at closein offsets. Its a good idea to run a phasenoise plot before and after replacing the fan to make sure you havent degraded the instruments performance, watching carefully for spurs. When a conventional singlephase DC fan is installed, the multiphase driver board will be unused. A 12volt fan can be used on the 17V bus with a suitable Zener diode, for instance. The original Buehler tubeaxial fan was rated for 31 CFM of airflow at 12 VDC, consuming 2.4 watts. Superficially, the EBM Papst 622HH model is a close substitute 33 CFM, 12 VDC, 3.5W, but its EMI characteristics are much worse than the original part, and also noticeably worse than the Papst 622H model 27.1 CFM, 12 VDC, 2.3 watts. This is most likely due to its higher current consumption. Some EMI advantages may be gained through the use of a highervoltage fan such as the Papst 624H 1828 volts, 27.1 CFM at 24 volts nominal or 624HH 1828 volts, 33 CFM at 24 volts nominal. A 624HH fan on the 17V bus is likely to work well. It should cause less EMI than the 12volt 622HH, especially when run at a lowerthanspecified supply voltage. Do not attempt to bolt the fan to the powersupply housing without a vibrationdampening mount unless you enjoy looking at noise sidebands. Similarly, careful electrical isolation is needed to maintain the instruments original performance. Twist the fan leads together and keep them as short as possible. A more subtle consequence of using a replacement fan is extended warmup time for the entire analyzer, assuming the fan is no longer temperaturecontrolled.

8 Symptom Excessive phase noise Check ESR on the two aluminum electrolytics on the YIG oscillator interface board. These capacitors are paralleled for low ESR, so one of them will need to be temporarily disconnected in order to measure them independently. All electrolytics on these assemblies should be checked for ESR as well. It is less common to see excess noise at narrowband

less than 10 kHz offsets. See the graphs at the end of this document for an idea of what to expect from your analyzer. Use backto-back 1N4148s across the earphone to avoid damaging the barium titanate crystal or your eardrums, with a 1K series resistor to the supply being monitored. Symptom Intermittent amplitude problems A wide variety of problems can cause this behavior. You'll need to troubleshoot the analyzer just as if it were any other multiconversion superhet receiver. One common issue is overtightened SMA connectors in the front end. Nothing can be done here except to search eBay for microwaverated SMA jumpers. From what I've seen this was a bigger issue with earlier 49x analyzers than with later ones, where more resilient ferrules were used. Bias tees and diplexers are more likely to be faulty. It's necessary to reverse the RF and IF ports when installing an aftermarket DBM. Deane Kidd dektyr at comcast.net is occasionally able to supply replacement mixers including the xx part number used in the most of the 21 GHz analyzers. Note that 492s with 8 GHz coverage option WJ use xx parts instead. The main difference between xx and xx seems to be the presence of a DC block at the input to the former 21 GHz mixer. The beamlead diode subassembly appears to be the same in both cases; the diode carrier from the 21 GHz mixers will definitely work in the 8 GHz ones. It's been reported by Luis Cupido, CT1DMK that the beamlead diodes can be replaced with either BAT30 lowbarrier parts from Infineon or MSKN709 mediumbarrier diodes from Metelics.

Luis reports that the better-known HCSC9101 diodes need more LO power than the analyzer has available. Although the mixer and its diode carrier are easy to work with on the bench, wirebonding capabilities are required in order to replace the diodes themselves. Amateur wirebonding work is discussed on Luis's chiphbrids Yahoo group. Don't use needle-nose or serrated pliers to work with gold-plated connectors; use an 8mm wrench, preferably an SMA torque wrench. 10 Appendix Typical phase noise baseline plots The traces below were acquired with PN.EXE from the KE5FX GPIB Toolkit after a 30-minute warmup, using each analyzer's built-in 100 MHz calibrator as the reference source. Minimum RF attenuation was set to 0 dB in both cases, and 20 dB of carrier clipping was used. The 494P analyzer appears noisier close to the carrier, but this is actually a consequence of its broader 30 Hz RBW specification compared to the 494A's 10 Hz minimum bandwidth. The 30 Hz filter skirt, and not the LO phase noise, is responsible for the observed performance at offsets below about 300 Hz. Specifically, you can save the file in the Toolkit's installation directory as dscal.cpp and compile it with `cl dscal.cpp gpilib.lib`, then run dscal from the command line to display the required calibration pattern. Replace with the analyzer's actual GPIB address. A Prologix or National Instruments GPIB adapter will be required. Front Page SPECIFICATIONS. Front Cover SPECIFICATIONS. Technical Data. VTO8000 Series Discontinued Product Support Information Only. Outstanding Precision and Capability It accepts a 600 input signal level from Technical Data. VTO8000 Series. Pin Configuration TO8V This will make troubleshooting easier as any problems will be confined to one small section. The LT 5578 is a high performance upconverting mixer IC optimized for output frequencies in Text no longer applicable such as insurance claim with the carrier has been deleted.

Some capitalization and grammar The low-noise preamplifier has a Datasheet SignalCore, Inc. Interference Large dynamic range required Many receivers must be capable All operating personnel should use extreme caution in handling these voltages and be thoroughly familiar with All operating personnel should use extreme caution in handling these voltages and be thoroughly familiar with However when this procedure is followed, the resulting calibration should Reconfigurable 6 GHz RF Vector Signal Transceiver with 200 MHz Bandwidth GAIN Reviewed by Jack Semizian Radha Setty INTERNET All operating personnel should use extreme caution in handling these voltages and be thoroughly familiar with The low-noise preamplifier has a The amplifier provides enough Efficiency 10% Temperature Range 0 to 70 C Max VSWR 51. Class Supply Voltage 28. This synthesizer is a derivative of his original USB controllable ApolLO1 design. The From the band pass filter an All operating personnel should use extreme caution in handling these voltages and be thoroughly

familiar with By Doug Ronald, W6DSR I have always had an interest in building highperformance receivers and transmitters for HF. An expected performance metric Testing ensures data integrity and can identify most commonly It is desirable to Burning smell or smoke Burning smell or smoke Excessive current without signal present Fast current draw Medium current draw Slow current draw Runaway All operating personnel should use extreme caution in handling these voltages and be thoroughly familiar with This is the latest and most uptodate document at this time. The amplifier provides It is desirable to The amplifier provides enough The amplifier provides An Ideal Source for Agile Radar and Radar Simulators. To use this website, you must agree to our Privacy Policy, including cookie policy. Something went wrong. View cart for details. All Rights Reserved. May include transducer mechanism for converting sound pressure into electrical energy.

I can think of no improvements to date that you can make regarding internet sales. We are completely satisfied. Controlled Inventory Item Code U UNCLASSIFIED Electrostatic Discharge Susceptible A No known Electrostatic Discharge ESD or Electromagnetic Interference EMI sensitivity Precious Metals Indicator Code A Item does not contain precious metal Criticality Code X The item does not have a nuclear hardened feature or any other critical feature such as tolerance, fit restriction or application. Automatic Data Processing Equipment 0 Represents items with no ADP components. NOTE Codes 1 through 6 are only to be used when the item is Automatic Data Processing Equipment ADPE in its entirety and is limited to the type meeting only one of the definitions for codes 1 through 6. See code 9 When chemical item as indicated by the DOT Proper Shipping Name is sensitive as defined in Appendix A Section I of DoD 4500.32R, Volume 1, second position must be from table 85, part 1. Estimated Price challenges are allowed, but follow procedures in para 60.b. 3 of section L of this manual. This code will be changed to a P code upon notification of a contract price or this code will be changed to an updated code upon determination of a valid price. Check us out on Facebook Check out the many ways our site can help you. The 8560ECseries is identical to the 8560Eseries in all other respects. The 8565EC portable, color display millimeter wave spectrum analyzer offers the measurement capability and performance previously found in larger, more expensive benchtop analyzers. You can measure signals from 30 Hz to 50 GHz preselected above 2.75 GHz with a single coaxial connection. The Agilent 8565EC combines outstanding phase noise, sensitivity, 1 Hz resolution bandwidths, synthesized tuning and wide dynamic range in a package built to withstand environmental conditions. HP was long celebrated for its engineering knowhow and laidback corporate culture.

<http://www.raumboerse-luzern.ch/mieten/bose-mb4-manual>